

# MWD Connectors

## DESCRIPTION:

At OTAQ Connectors we manufacture our Measure Whilst Drilling (MWD) inserts from a superior grade of glass filled epoxy resin with high strength and high temperature capability along with excellent electrical insulation properties.

## ELECTRICAL SPECIFICATION:

**Voltage Rating:** 600vdc

**Insulation Resistance:** >10 GΩ @ 1000vdc

**Mated Contact Resistance:** 2.5 Mili Ω @ 1 AMP

## MATERIAL SPECIFICATION:

**End Rings:** Aluminium Bronze CA104

**O-Rings:** Viton

**Socket Contacts:** Beryllium Copper Vacuum Hardened

**Pin Contacts:** CZ121

**Pin & Socket Gold Plating:** 1um hard acid gold over typically 2.5um Nickel over Copper flash

Other materials & colours available on request

## USES:

**Market:** Oil and Gas, Drilling, Well Management

**Applications:** Downhole



Part No. / Configuration	
Medium Pressure - Medium Temperature Connectors Rated to 170°C, 10,000psi	High Pressure - High Temperature Connectors Rated to 200°C, 20,000psi
<b>LK16664:</b> 4 Pin / 6 Socket	<b>LK16664-HT:</b> 4 Pin / 6 Socket
<b>LK16665:</b> 6 Pin / 4 Socket	<b>LK16665-HT:</b> 6 Pin / 4 Socket
<b>LK16666:</b> 10 Way Solder to Solder	<b>LK16666-HT:</b> 10 Way Solder to Solder

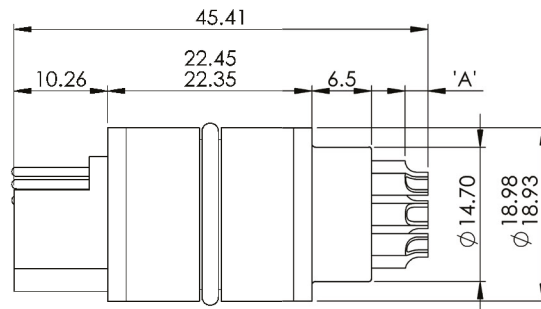
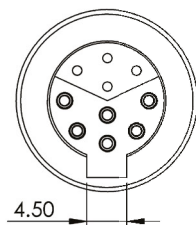
### KEY DIMENSIONS:

DIMENSION 'A' = LENGTH OF SOLDER CUP

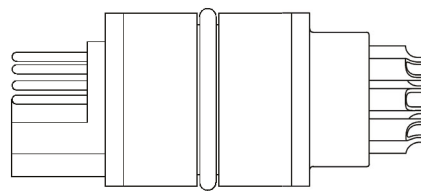
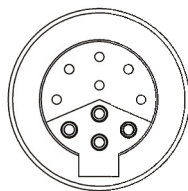
SHORT SOLDER CUP = 2.5mm

LONG SOLDER CUP = 4.0mm

4 PIN - 6 SOCKET  
MWD CONNECTOR  
LK16664-HT/MT



6 PIN - 4 SOCKET  
MWD CONNECTOR  
LK16665-HT/MT



10 WAY SOLDER CUP  
MWD CONNECTOR  
LK16666-HT/MT

